

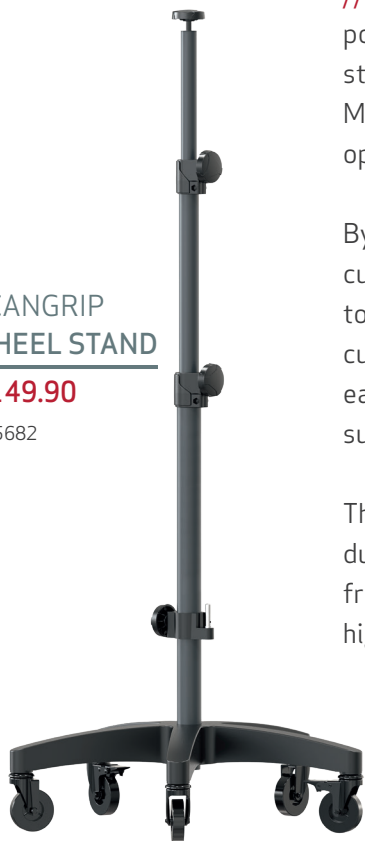
FLEXIBLE POSITIONING ON WHEEL STAND



SCANGRIP WHEEL STAND

€ 149.90

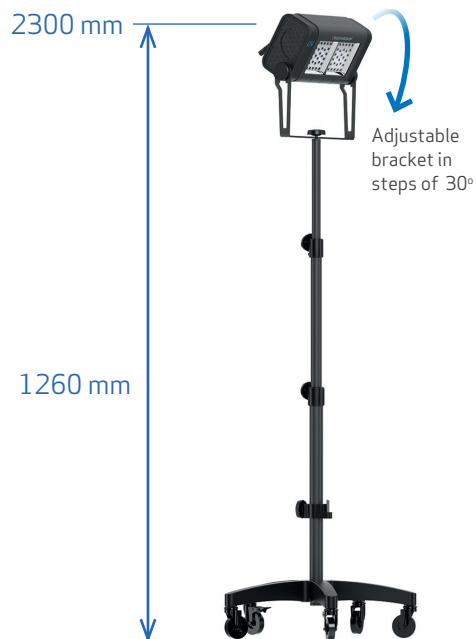
03.5682



// The SCANGRIP WHEEL STAND will be the perfect stand for the 2 extremely powerful curing lights. You will be able to mount the work light on top of the stand and position the light in the requested height (1260-2300 mm). Mounted in the bracket you will also be able to adjust the angle to obtain optimum curing effect on the subject to be cured.

By the app you will be able to control the curing proces remotely and do not have to be close to the UV irradiance. When the curing process is finished it is fast and easy to move it aside to make room for the subsequent repair work.

The WHEEL STAND is a very stable and durable construction easy to move around from job to job. The 5-wheel base ensures high stability and easy maneuverability.



MOUNTING BRACKET for UV-EXTREME

€ 49.90

03.5915



// Sometimes it is necessary to cure on lower parts of the vehicle or on the side, for instance. For this purpose we recommend to use the bracket of the WHEEL STAND center bar which is adjustable in the height (380-895 mm). To fix the UV-EXTREME or UV-EXTREME PLUS at the lower part of the WHEEL STAND you need this additional MOUNTING BRACKET as accessory.

